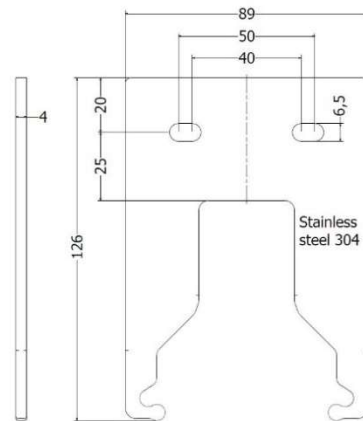
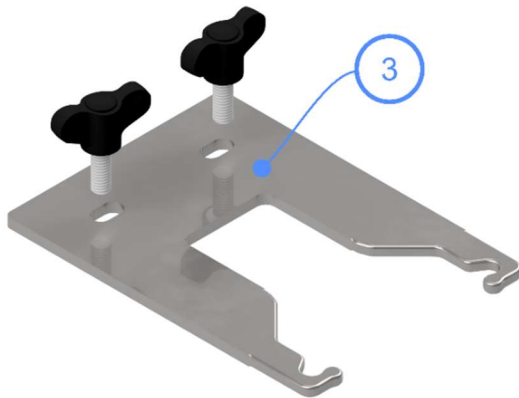


Datasheet - TOOL PART HOLDER

PICTURES AND DRAWINGS



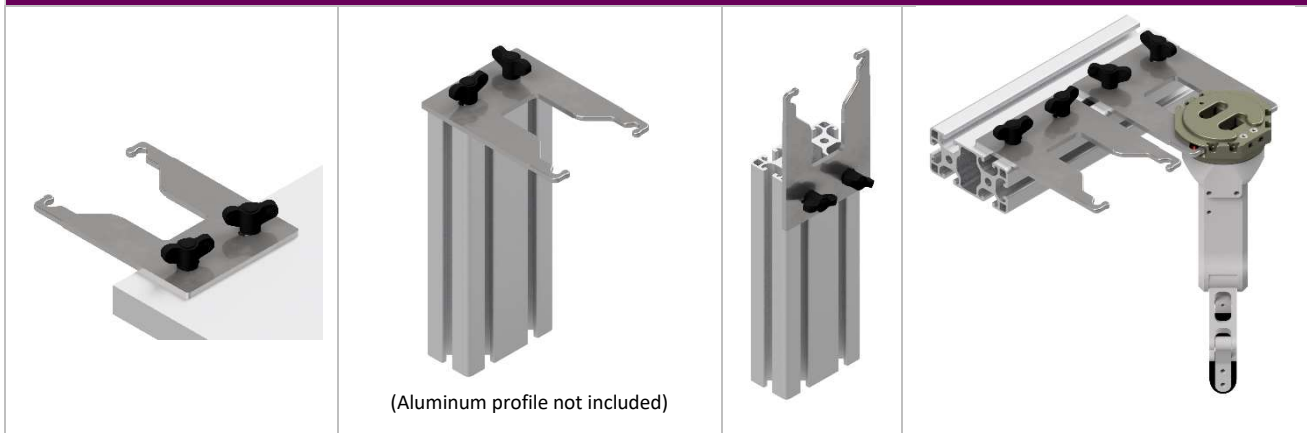
PART NUMBERS

Pos.:	Part no.:	Description:	Interfaces with:
3	WM1-P-03-01	Tool part holder including 2 pcs. finger screws.	Pos.: 2

TECHNICAL DATA

Material:	Electro polished stainless steel 304 (surface gloss may vary)
Rated couple payload (See USER GUIDE chapter 7.6 Installing the tool part holder)	5 kg / 1 Nm
Rated payload torque:	1 Nm
Mounting means:	2 x M6 wing screws

INSTALLATION EXAMPLES



Part no.: WM1-P-03-01

